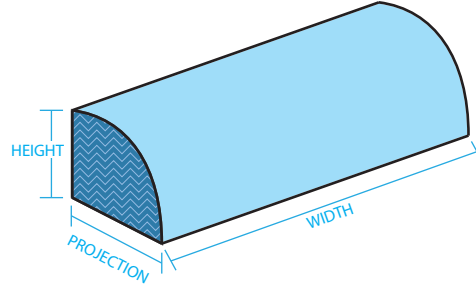
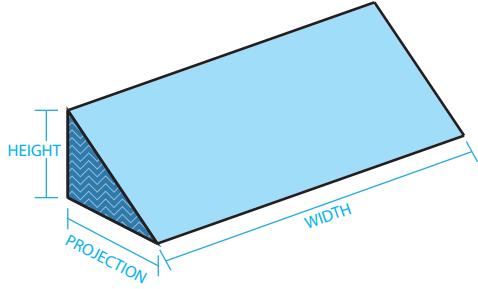


AWNING SIZING GUIDE

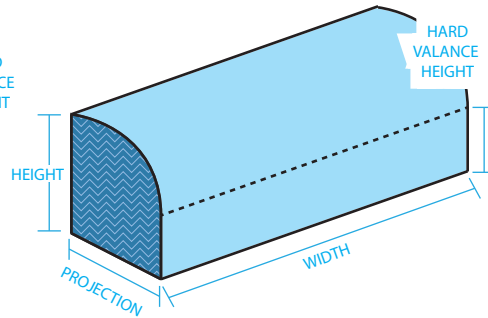
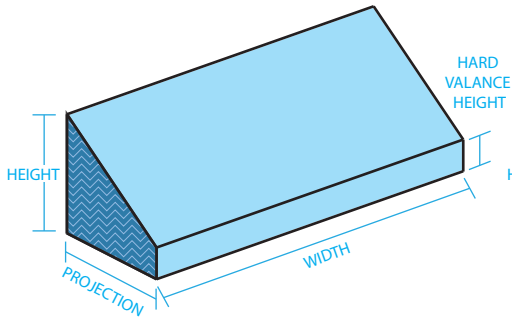
Awnings come in many different styles as seen on the following page. Most styles have the additional hard and soft valance options and these are specified according to the diagram below. A traditional awning is pictured on the left and a barrel awning is pictured on the right. We communicate using ' for feet and " for inches. Examples are below.



AWNING

Width x Height x Projection

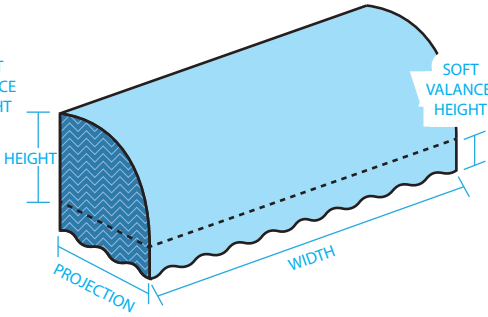
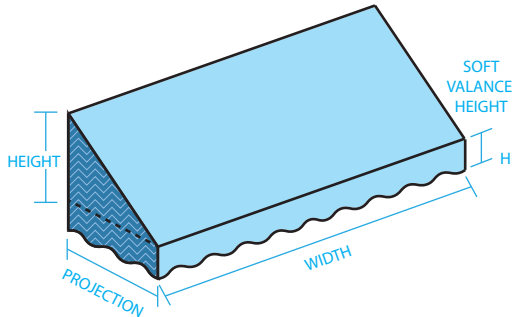
Ex. 10'6"W x 3'0"H x 3'6"P



AWNING w/ HARD VALANCE

Width x Height x Projection x Hard Valance Height

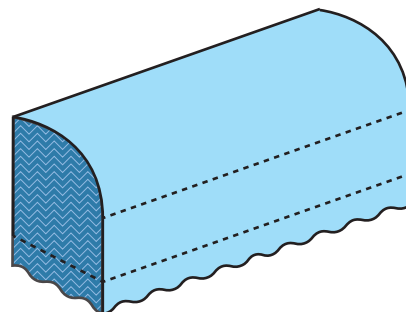
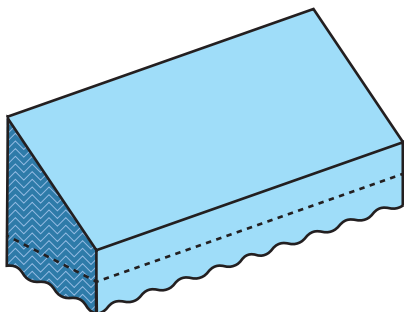
Ex. 10'6"W x 3'0"H x 3'6"P x 6" HV



AWNING w/ SOFT VALANCE

Width x Height x Projection x Soft Valance Height

Ex. 10'6"W x 3'0"H x 3'6"P x 6" SV



AWNING w/ BOTH VALANCES

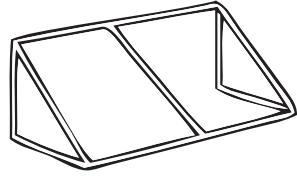
Width x Height x Projection x Hard + Soft Valance Heights

Ex. 10'6"W x 3'0"H x 3'6"P x 6" HV + 6" SV

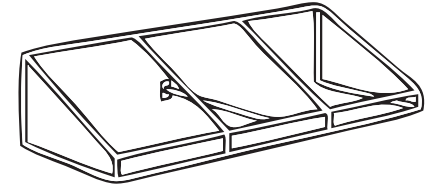
AWNING STYLES GUIDE

Awnings come in many different styles. Most styles have the additional hard and soft valance options and these are specified according to the diagram on the previous page.

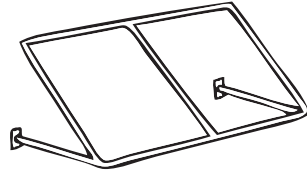
Traditional



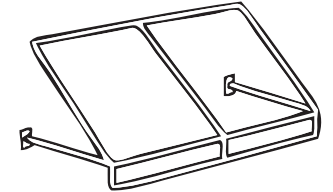
Traditional with hard valance



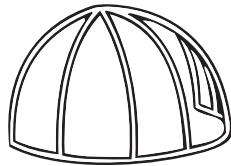
Traditional without sides



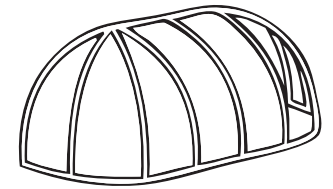
Traditional without sides and hard valance



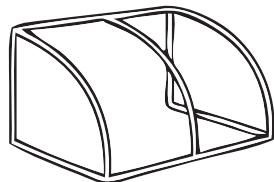
Dome



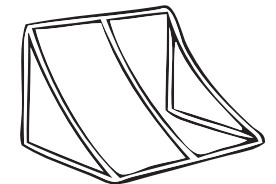
Elongated Dome



Barrel



Concave



VALANCES

Valances come in these styles and have a decorative finishing strip called binding. 6" - 8" is the standard size but custom sizes are available.

Makapu'u



Waimea



Sunset



Sandys



Hanauma



 ***Fabric***

 ***Binding***